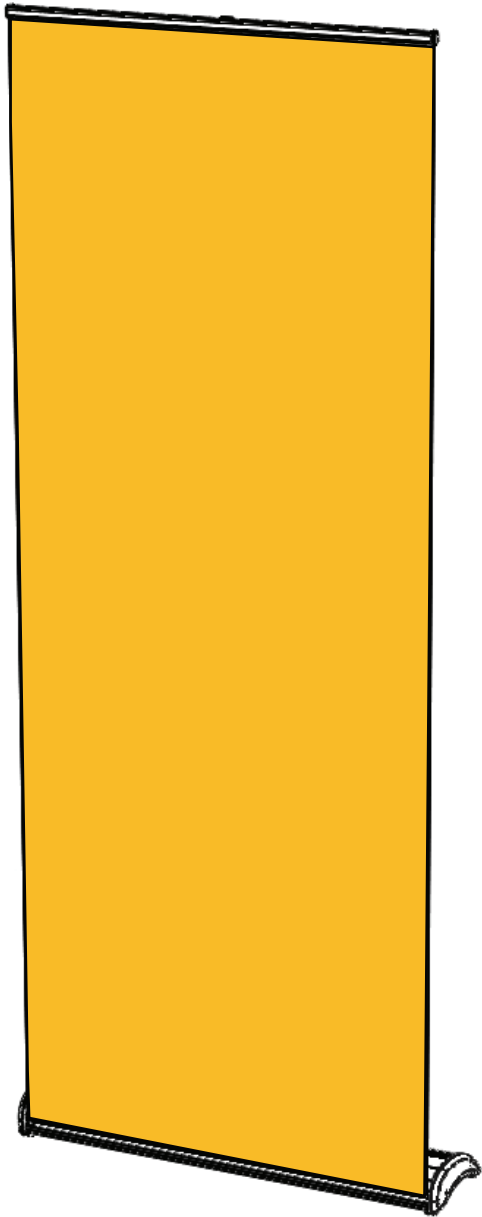


LUXURY R BANNER



Sizes Available

80cm H 220 x W 86cm

85cm H 220 x W 91cm

100cm H 220 x W 106cm

120cm H 220 x W 126cm

150cm H 220 x W 156cm

Recommended Media

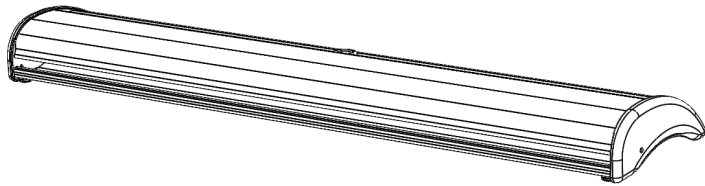
440gsm Banner Vinyl

440gsm Grey Backed PET

ASSEMBLY INSTRUCTIONS

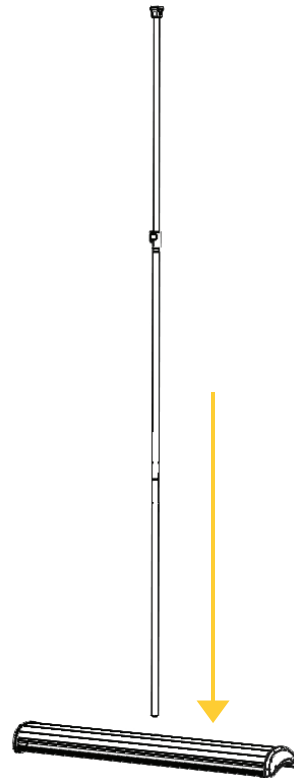
1

Place the banner stand base down.



2

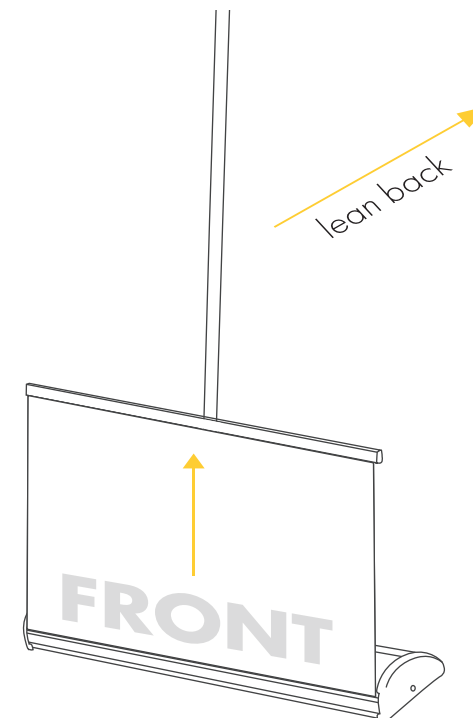
Assemble the telescopic pole and place the end without any mouldings into the central hole on the base. Ensure the pole is secure and sitting in its proper location. It should appear near vertical.



3

Take a firm grip of the rail at the top of the graphic, lean the banner backwards until the rail and pole are at a workable height.

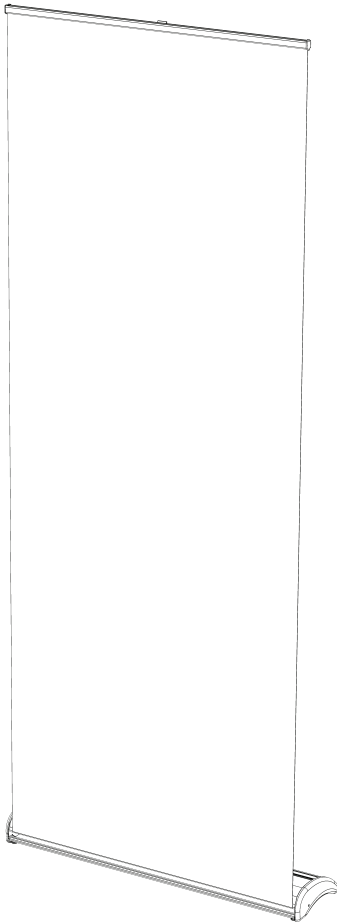
When the graphic is level with the top of the pole, partially rotate the rail and fit the rear of the rail to the top of the pole moulding.



ASSEMBLY INSTRUCTIONS CONTINUED

4

Once the rail is securely attached to the top of the pole, position the banner in the location of your choice and it's ready for use. If using a hybrid pole, adjust the height to maximise your graphic completely.



5

If at any point the roller banner loses its tension, use the ratchet to retension. This can be done by turning the ratchet handle in the direction of the arrows. Six clicks equals one full turn. For banners sized 80-100cm 24 full turns required. Banners over 100cm require 30 full turns.

